



曾 泉 江 鐵 器 廠
CHAN CHUAN CHANG METAL WORKS

EXHAUST DIFFUSERS (DISC VALVE)



Brand : CCC

**Air Diffusion Equipment
EXHAUST DIFFUSER (DISC VALVE)
Series : CCC-ED**

CHAN CHUAN CHANG METAL WORKS



VISION

“To produce high quality products, high standard of creativity in design and excellent credibility in reputation”

MISSION

“Serve customer with satisfactory and reliable works and products”

Chan Chuan Chang Metal Works was established in 1975, committed to the vision to manufacture good quality Air Diffusion Equipment. After building up its reputation in the industry as a top manufacturer, the company registered the logo with the Registry of Trade and Patents (Singapore). From then onwards, all equipment which has the trade mark symbolise our commitment to serve our customer with satisfactory and reliable works and products.


Our products have been tested by VIPAC, testing laboratory at Victorian technology Centre, Port Melbourne, Victoria. Furthermore, the results are NATA Certified (National Association of Testing Authorities, Australia) to ADC 10623 R3 (Air Diffusion Council, USA) and are officially endorsed in countries which are signatories to the I.L.A.C agreement-namely, Australia, New Zealand, Britain, USA and Malaysia.

We were proud to introduce the **Heavy Duty Aluminium Computer Floor Grille**, Series : CR to the industry in 1991. This has been a breakthrough as the grille are able to provide adequate air flow whilst maintaining the weight of any person or equipment. This is verified by the Comprehensive Loading Test performed by Singapore Institute of Standard & Industrial Research (SISIR), currently known as Spring Singapore. Series : CR has since then been installed in many computer rooms, wafer manufacturing plant and places which require the product.



COMPANY MILESTONE

1975 Established with the vision to manufacture high quality Air Diffusion Equipment to meet future needs and demands. Together with a team of experienced Engineers & Craftsman dedicated to Chan Chuan Chang's Motto – Commitment, Creativity & Credibility, we produced good quality products with high standard of creativity in design and maintained excellent credibility in reputation.

1982 Registered with the Registry of Trade and Patents (Singapore), CCC Trade Mark  has since become a household name in its industry.

1986 Chan Chuan Chang (CCC) products are tested by VIPAC, a testing laboratory at Victorian Technology Centre, Port Melbourne, Victoria. These results are NATA Certified (National Association of Testing Authorities, Australia) to ADC 10623 R3 (Air Diffusion Council, USA) and are officially endorsed in countries which are signatories to the I.L.A.C agreement – namely, Australia, New Zealand, Britain, USA and Malaysia.

1991 CCC Aluminium Computer Floor Air Grille was sent for Comprehensive Loading Test conducted by Singapore Institute of Standard & Industrial Research (SISIR) and achieved excellent results.

1997 CCC was awarded ISO 9002 Certification. Our impressive list of satisfied clients is testimony to CCC's motto – Commitment, Creativity and Credibility.

2005 CCC has improved its quality management system with respect to the ISO 9001:2000 standard due to our commitment towards quality improvement in our products and customer satisfaction. We thank you for your faith and support in our products. We will continue to strive harder to exceed your demand & satisfaction.

2012 CCC was awarded ISO 9001:2008 Certification by BVQI Accreditation. CCC also became a certified member of Air Movement and Control Association International (AMCA). Our Low Leakage dampers were tested according to AMCA standards and received certifications.



CCC-ED

Product Name : Exhaust Diffuser (Disc Valve)

Model : CCC-ED

Material : G.I.

Features :

CCC exhaust diffuser is manufactured from high quality galvanized steel sheet construction with white powder coating finishing. This diffuser can be used for both return and supply air duct ventilation applications, commonly in kitchens, toilets and bathrooms. It can be mounted in wall, ceiling or exposed air ducts to suit your requirement.

The design of the diffuser is suitable design for high airflow and low noise ratings. The centre core is adjustable by manual rotation to control the amount of airflow.

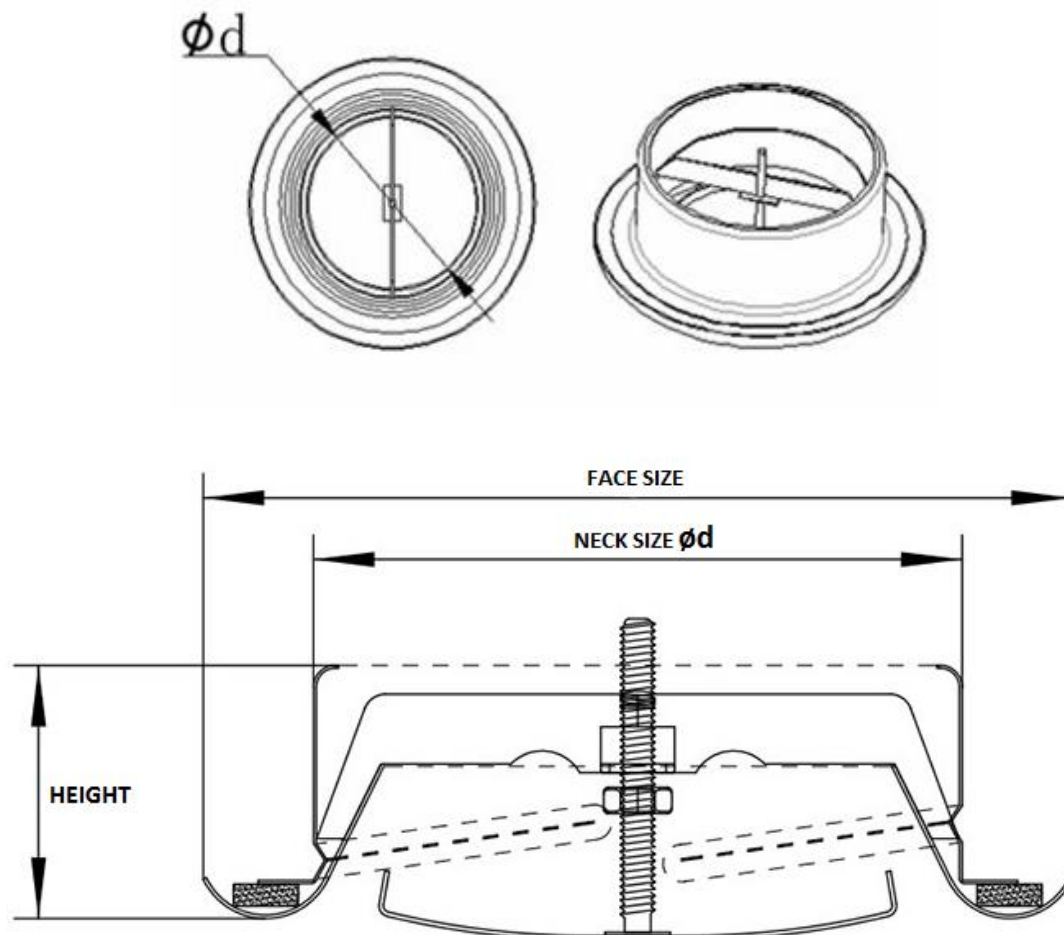
- Standard size of Neck Size 100mm and 125mm (Other sizes upon request)
- Can be used for supply and return air.
- Can be mounted in the wall, ceiling or exposed air ducts with mounting rings.
- Manually rotation adjustable centre disc.

Optional Accessories :

- Material such as SS304 may be requested.

CCC-ED

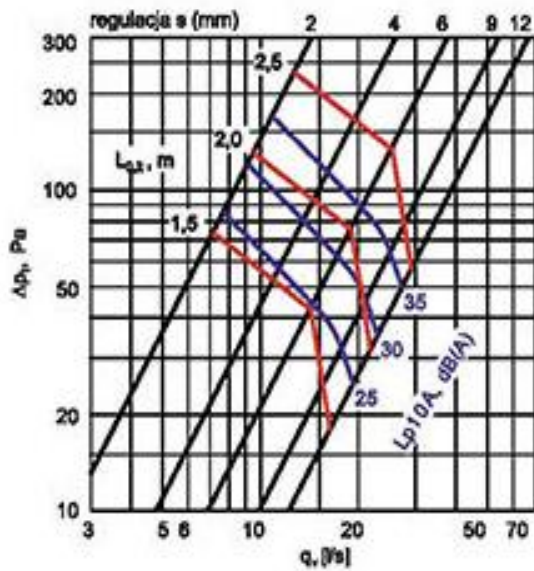
Design & Drawing



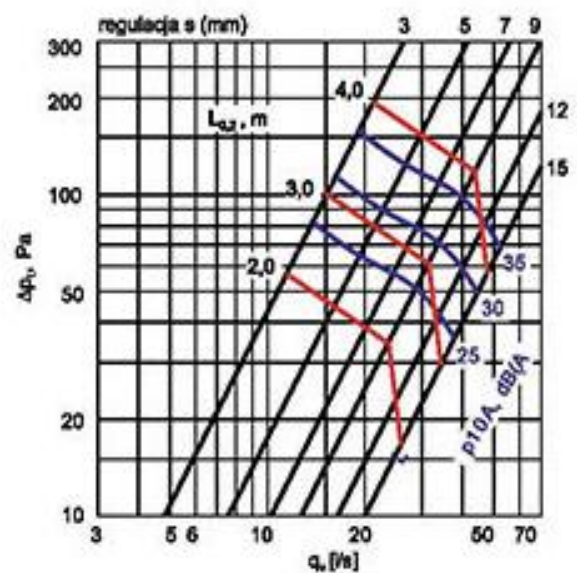
STANDARD SIZE (ød)	
Neck Size (inches)	Neck Size (MM)
4"	100
5"	125

We only have 100mm and 125mm for ready stocks. Other sizes please request to us.

Technical Data



ED-100mm



ED-125mm